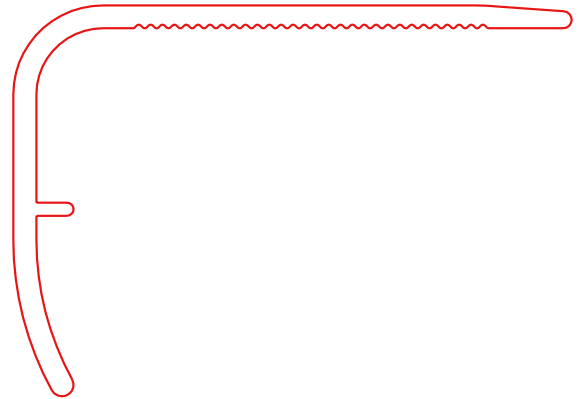


The Mohawk Vinyl Stairnose is a moisture resistant molding that is suitable to finish stair installations of vinyl luxury flooring. The Mohawk Vinyl Stairnose is designed for functionality, versatility, and uniqueness: 1) functional because it can be installed either flush or overlapped, 2) versatile because of its wide-range of LVF compatibility ranging from 2mm in thickness to 7.5mm, and 3) unique because, in contrast to the competition, the Mohawk Vinyl Stairnose can accommodate bull-nosed as well as squared-nosed stair installations.

### Trim Demographics

- Selling Style: VSNP
- Dimensions: 78.75" x 1.88" x 1.33"
- Core material: PVC
- Surface material: Highly wear resistant rigid PVC
- ADA compliant
- Primary Applications: Luxury Vinyl Flooring

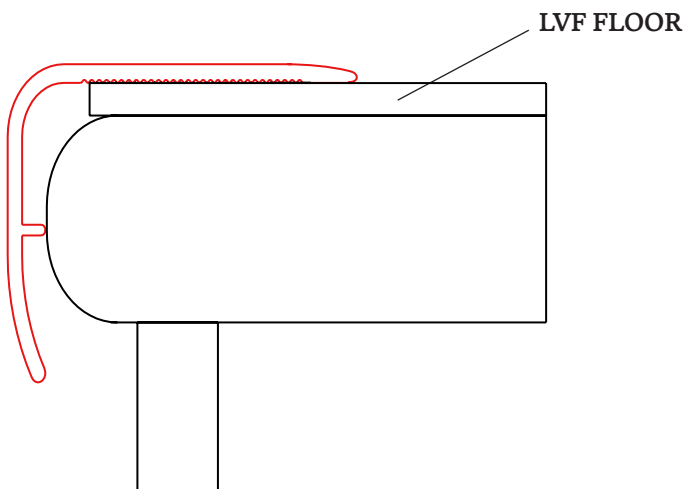


### Stairnose SHIM Demographics

- Selling Style: VSHIM
- Dimensions: 78.75" x 1.25"
- Shim thickness is specific to the LVF thickness - see table one below.

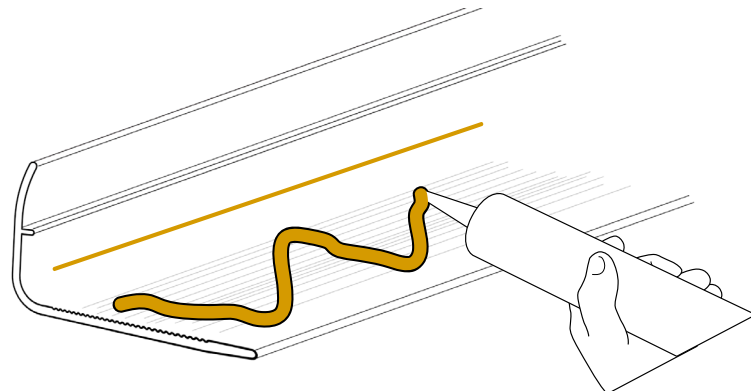
### Installation Instructions – Overlap Stairnose application

1) Measure stair width and cut the Stairnose profile to fit



2) Apply polyurethane adhesive to underside

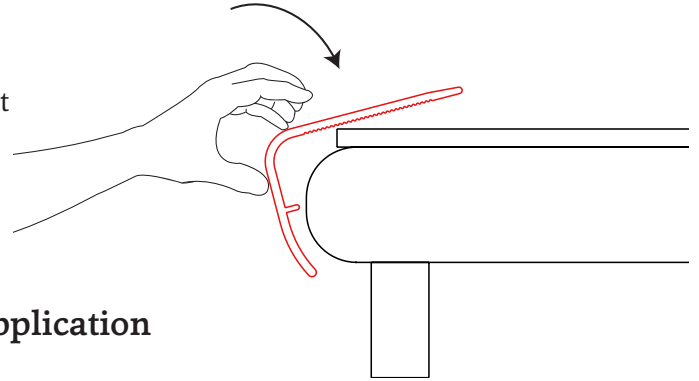
- S" shaped bead of on ribbed surface of nosing
- Apply straight bead of under the stand-off elbow



3) Carefully position the trim and press down firmly alongside the entire stair nose

4) Let adhesive cure for at least 4 hours before any walking on it  
Wait 24-48 hours for full traffic exposure.

**\*\* Remove PAD from floor planks before installation on stairs.**



### Installation Instructions – Flush-mount Stairnose application

1) Measure stair width and cut the Stairnose profile to fit

1.1) Install LVF floor on steps leaving a spacing gap of 1.7 inches from the edge of the floor to the edge of the step. This spacing allows enough room for the shim to be installed and for the stairnose trim to butt up against the edge of the LVF floor. See below diagram

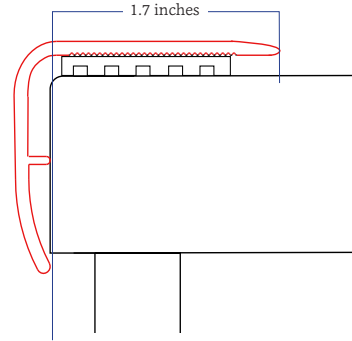
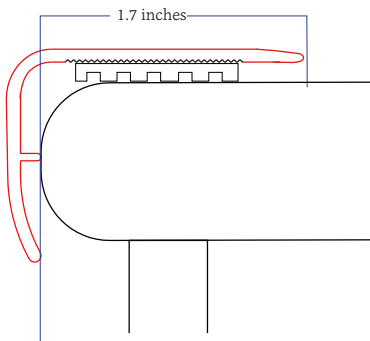


Table 1. Shim cross-reference grid.

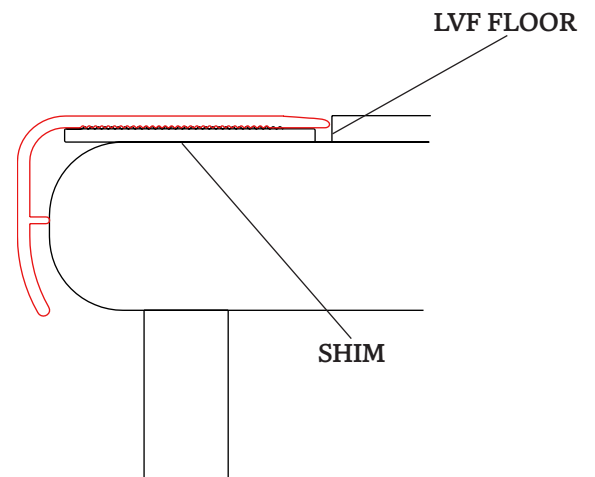
| LVF THICKNESS  | SHIM STYLE | SHIM COLOR |
|----------------|------------|------------|
| 5.5            | VSHIM      | 01         |
| 6.5 with pad** | VSHIM      | 01         |

**\*\* Remove PAD from floor planks before installation on stairs.**

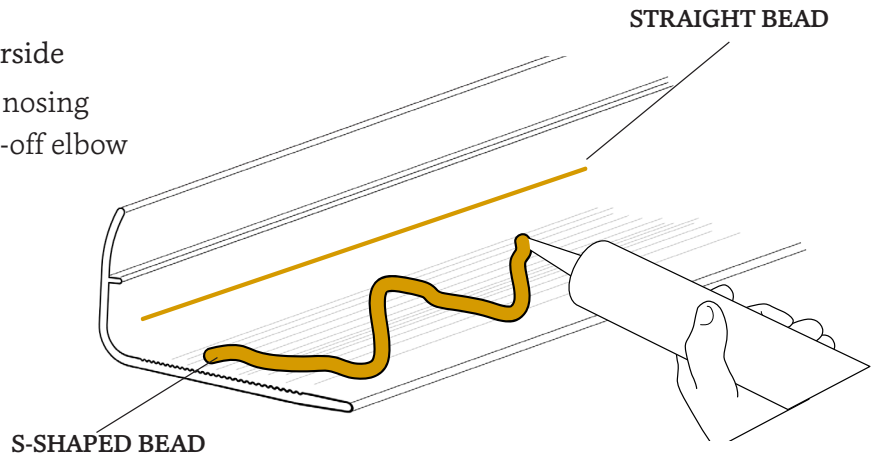
2) Measure and cut the Shim to fit

3) Staple or nail shim to the edge of the stair thread

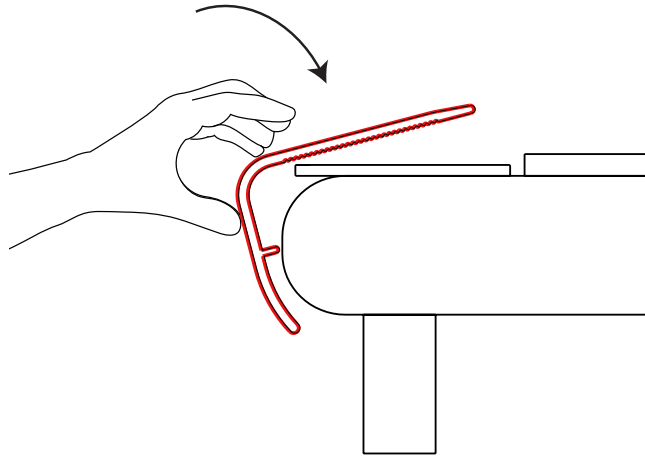
4) Measure stair width and cut the Stairnose profile to fit



- 5) Apply polyurethane adhesive to underside
- S” shaped bead on ribbed surface of nosing
  - Apply straight bead under the stand-off elbow



- 6) Carefully position the trim and press down firmly alongside the entire stair nose



- 7) Let adhesive cure for at least 4 hours before any walking on it– Wait 24-48 hours for full traffic exposure.

### Overall Installation Notes:

**Take the time to inspect your stairs and make sure they meet all the local building codes**

#### Stair Prep:

- Remove any old carpet or other stair coverings
- Make sure the stair steps are free of worn treads, existing glue, or debris
- Ensure all stairs are flat and level

#### Make sure you have the correct supplies to finish stairs:

- LVF flooring (*Remove PAD from floor planks before installation on stairs*)
- Coordinating Mohawk Vinyl Stairnose
- Floor specific SHIM if installing a flush-mount application
- Polyurethane Construction Adhesive